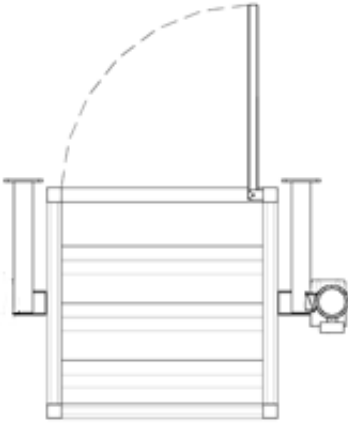
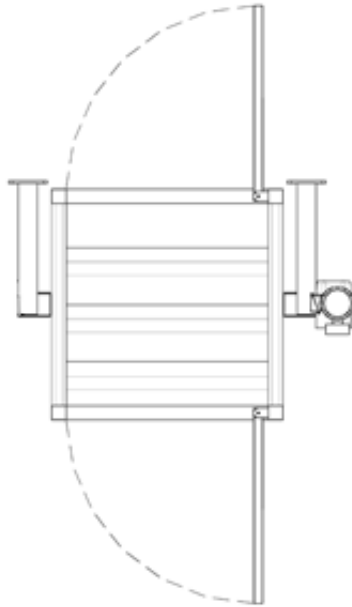
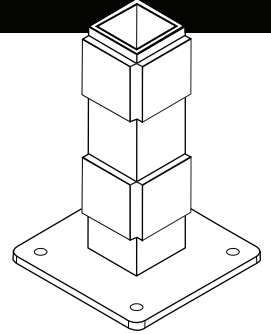


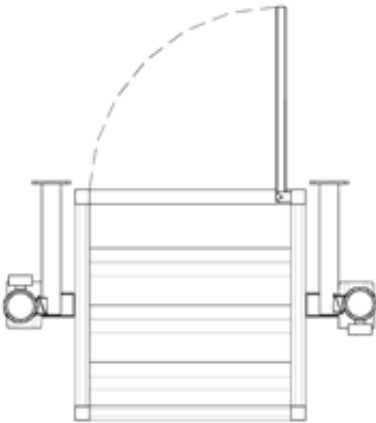
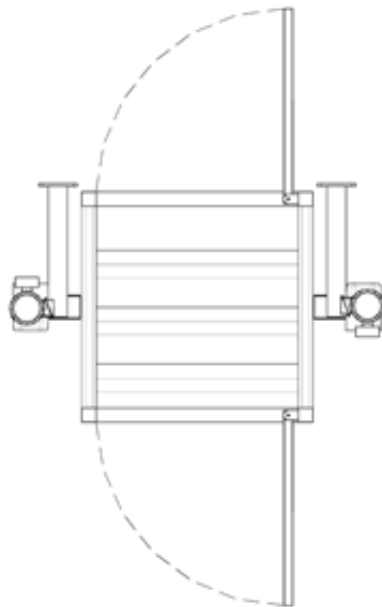
Fax orders to:
(252)747-2370
"Save your back, get a Butler"
DL 1000 I - Dual Mast / Single Motor Cargo Lift
 Single Gate

 Dual Gate

Level Options:
 Two level

 Three level

Concrete Mount:
 Two per unit

Transmitter:

Additional Transmitter: _____

(Qty)

One Transmitter comes with unit.
DL 1000 II - Dual Mast / Dual Motor Cargo Lift
 Single Gate

 Dual Gate

Billing Address

Name _____

Address _____

City _____

State _____

Zip _____

Telephone _____

Email _____

Shipping Address (Sign and Date)
**Additional fees apply for residential shipping*

Name _____

Address _____

City _____

State _____

Zip _____

Sign _____

Date _____